



1 Door Undercounter Refrigerator **SKU: AU29**

- Spacious: 6.7 cu ft capacity
- Durable: Stainless steel exterior, painted aluminum interior
- Efficient: Low energy usage (1.097 kW/24h)
- Convenient: Self-closing doors, efficient LED lighting
- Certified: ETL Electrical, ETL Sanitation, DOE
- Mobility: Locking casters
- Powerful: 1/6 HP compressor
- Sleek: Stainless steel finish, swing-style solid doors



Refrigerant	R290
Horsepower (HP)	1/6
Voltage (V)	115
KW per 24h	1.097
Wattage (W) (W)	327
Weight (lbs)	66
Shipping Weight (lbs)	74
Door Self Closed	Yes
Interior Material	Painted Aluminum
Exterior Material	Stainless Steel
Color	Silver
Door Style	Swing
Door Type	Solid
Number of Doors	1
Compressor Location	Back Mounted
Plug Type	NEMA 5-15P
Casters	Included
Caster Size (inch)	5

Introducing our top-of-the-line one-door commercial undercounter refrigerator, model AU29, built to deliver exceptional performance and reliability for your commercial kitchen. This undercounter refrigerator offers a spacious interior, with precise measurements of 29 inches in width, 30 3/8 inches in depth, and 38 3/8 inches in height, providing ample storage with a capacity of 6.7 cubic feet, designed to accommodate all your refrigerated items.

Made with a strong stainless steel exterior and a clean, easy-to-maintain painted aluminum interior, this unit combines durability with a clean and hygienic look. The thick 2-inch insulation, using cyclopentane, ensures excellent temperature control, keeping your products fresh.

Item	Width (Inch)	Depth (Inch)	Height (Inch)
Exterior	29	30 3/8	38 3/8
Interior	31	35 1/4	40

Capacity (Cu Ft)	Number of Shelves	Shelf Capacity (lbs)
6.7	1	85

- **Heavy-duty:** Crafted with a robust stainless steel exterior, a pristine painted aluminum interior, and a dependable 304 stainless steel floor.
- **Spacious:** Equipped with one epoxy-coated shelf, capable of supporting up to 85 pounds.
- **Insulated:** Boasts substantial 2-inch insulation for superior temperature control.
- **Powerful:** Driven by a precise 1/6 HP compressor for top-notch performance and reliability.
- **Efficient:** Low energy consumption with hydrocarbon based natural R290 refrigerant.



U.S. DEPARTMENT OF
ENERGY

Atlas Air Commercial Refrigeration: info@atlascoolers.com | atlascoolers.com

Note: Specifications subject to change without notice
Do not use in non-commercial or residential settings

Equipped with a sturdy shelf that can hold up to 85 pounds, you'll have plenty of space for your ingredients and items. The built-in LED lighting ensures you can see everything clearly inside.

This commercial undercounter fridge is energy-efficient, using eco-friendly R290 refrigerant and powered by a 1/6 horsepower compressor operating at 115V/60Hz. This means it consumes very little energy, costing only 1.097 kW.h/24h, saving you money in the long run.

Hinge Location	Amps (A)	Hertz (Hz)	Temperature Range
Right	2.5	60	33°F to 40°F

The **Atlas Air** brand is known for quality, and this commercial under the counter refrigerator lives up to that reputation. Whether you're in the foodservice industry or running a commercial kitchen, you can trust this unit to keep your products at the right temperature, preserving their quality.

1 Door Undercounter Refrigerator SKU: AU29

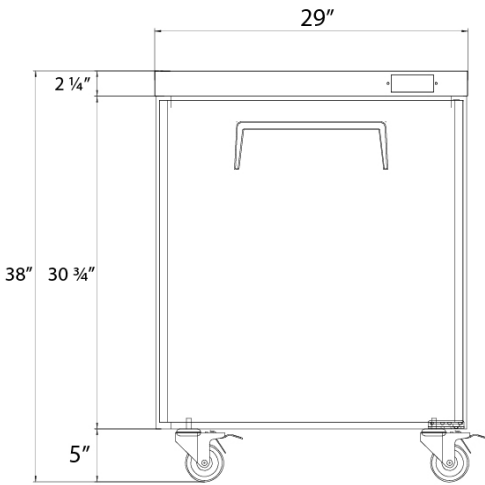
The self-closing door adds convenience and saves energy by ensuring it's always properly sealed. It's easy to move around with four 5-inch casters that provide stability.



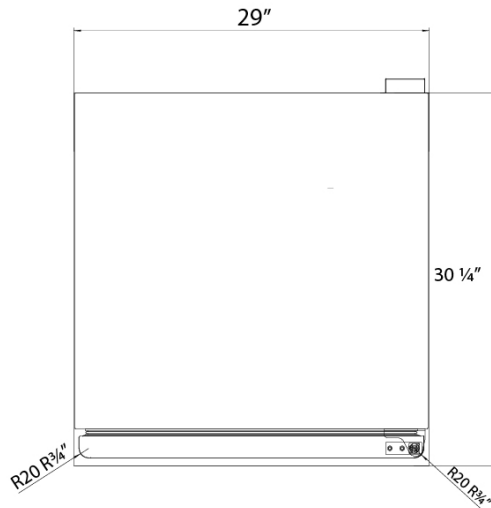
Invest in the future of your business with our **Atlas Air** one-door undercounter refrigerator, perfect for your refrigeration needs. It's a powerful, energy-efficient, and reliable addition to any kitchen, designed to meet your needs for years to come. And don't forget to explore our selection of commercial undercounter refrigerators and other equipment to streamline your kitchen operations.

Technical Data:

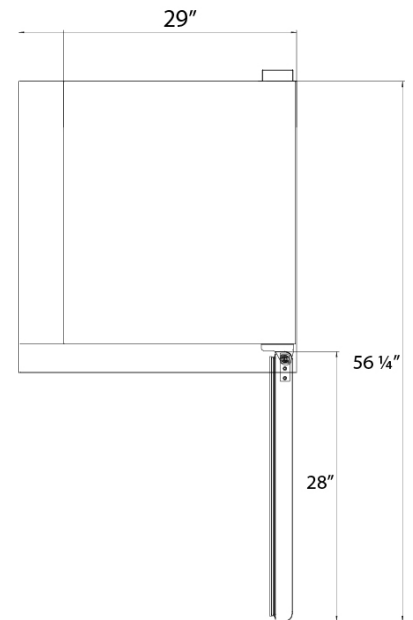
FRONT VIEW



TOP VIEW



TOP VIEW



One Door Reach-In Freezer SKU: AU29

Atlas Air's Comprehensive Warranty:

